

# IMA

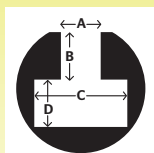


## I 28 T - 1 ~

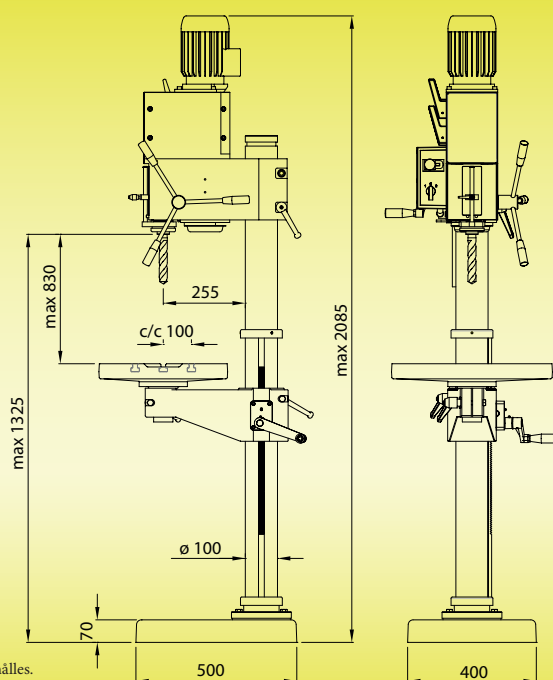
	Ø 25 / 28 mm		<b>50Hz</b> 105-210 350-700 445-890 1460-2900	<b>60Hz</b> 130-260 420-840 535-1070 1740-3480
	130 mm		0,55/0,75 kW	
	M16 / M20			
	MK 3			
	500 x 400 mm			



195



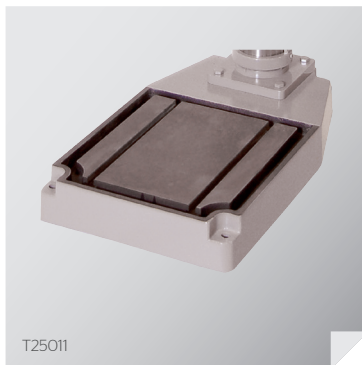
A 14,5 +/- 0,8 mm  
B 13 mm  
C 26 mm  
D 12 mm



# Tillbehör | 28 T - 1 ~

Spare parts/Zubehör

# IMA



**MSC**  
machinery scandinavia  
MADE IN SWEDEN

  
**ROSENFORS**  
MADE IN SWEDEN

Machinery Scandinavia AB  
577 97 Rosenfors, Sweden  
Tel +46 495 49 700  
E-mail: [sales@mscab.se](mailto:sales@mscab.se)  
[www.mscab.se](http://www.mscab.se)